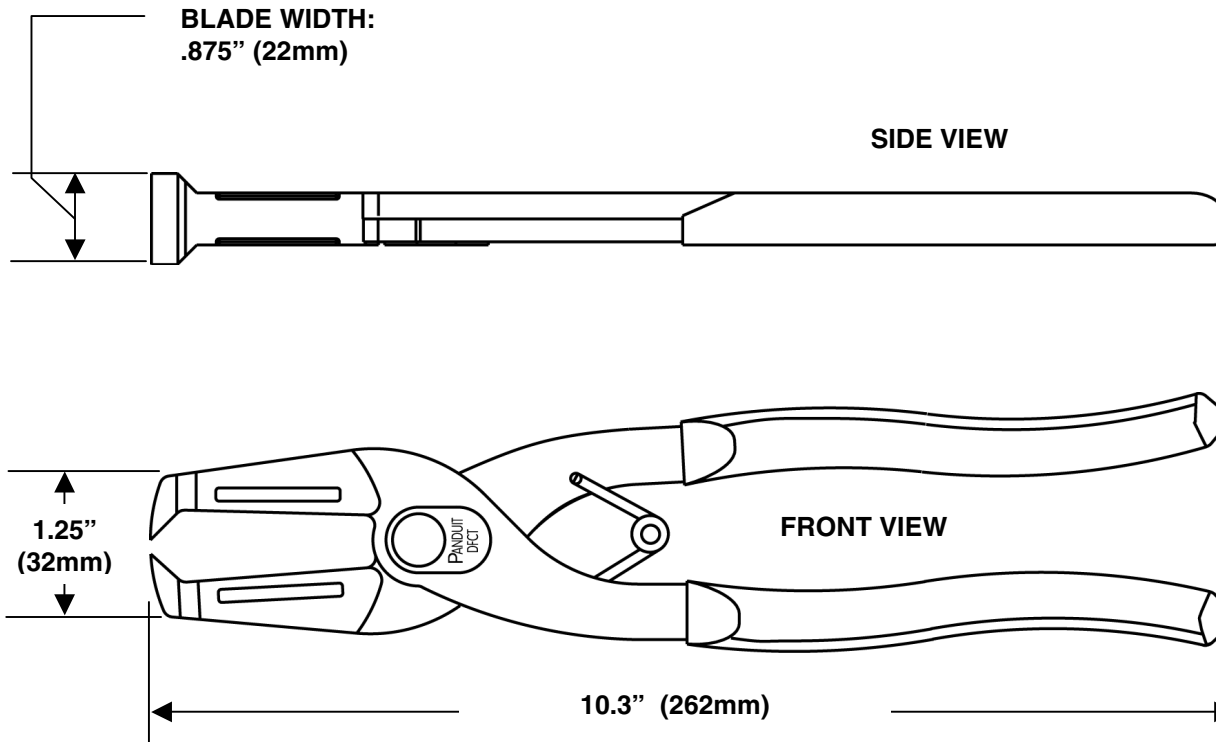


THIS COPY IS PROVIDED ON A RESTRICTED BASIS AND IS NOT TO BE USED IN ANY WAY DETRIMENTAL TO THE INTERESTS OF PANDUIT CORP.




NOTES:

- Cuts *PANDUCT* Wide Finger Wiring Duct
- Also removes NR1 Nylon Rivets
- Spring open handles
- Heavy duty steel construction

WEIGHT: 1.09 lb./ea.
(495 gm./ea.)

DIMENSIONS ARE FOR REFERENCE ONLY

F:/wrkgrp/rvusers/engdocsnew/custdwgs/
WD24740A01_02 DFCT CD.doc

| | | | | | | | | | | | |
|-----|---------|-----|-------|---|------|----|------|---|----------------|--|-------------------------|
| | | | | | | | |  | | CORP. TINLEY PARK, ILLINOIS | |
| | | | | | | | | TOOL * DFCT | | | |
| | | | | | | | | DUCT FINGER CUTTING TOOL | | | |
| | | | | | | | | UNLESS OTHERWISE SPECIFIED, DIMENSIONAL TOLERANCES ARE: | | UNLESS OTHERWISE SPECIFIED, ALL DIMENSIONS ARE GIVEN IN INCHES, THIRD ANGLE PROJECTION. | |
| 02 | 3-23-05 | BLR | MBR | ADD WIDE FINGER DUCT; SIDE VIEW W/DIM. | 4153 | -- | DLWE | (.) ± --- | (.xxx) ± --- | | |
| 01 | 6-30-03 | BLR | ABJ | REMOVE DUCT TYPES | 4092 | -- | DLWE | DRAWN BY: BLR | MATL: ----- | SCALE NONE | |
| 00 | 6-25-03 | BLR | ABJ | RELEASED | 4092 | -- | DLWE | DATE: 6-25-03 | | DRAWING NO. WD24740A01 | |
| REV | DATE | BY | CHK'D | DESCRIPTION | ECN | -R | CUST | SUP | CHK'D: ABJ | | DWG A SIZE |